



GENERAL DESCRIPTION

Button is compatible with Extinguishing Fire Control Panel FS 5200E. It is designated for forced activation of the extinguishing process. The button is to be mounted close to the protected premise. Connect the button to the input "Manual Release" of Control Panel FS5200E. The connection line is monitored for short-circuit or interruption using end of line resistance.

The button has a built-in switcher with one normally open contact and resistor of 1,5 kΩ. When pressing the button, the contact is closed and commutates circuit through resistor of 1,5 kΩ. When the button is situated at the end of the line, it is necessary to connect end of line resistance 3kΩ to terminals "+" and "-" (fig. 2a, 2b, 2c).

FD3050Y consists of : surface mounting box (pos.4, fig.1), a carrier unit (pos.3, fig.1), elastic element (pos.5, fig.1), a test key(pos.6, fig.1), breakable seal(pos.7, fig.1), cover(pos.2, fig.1) and protective cover (pos.1, fig.1) :

To activate the Manual Release Button:

1. Open the protective cover, fixed by means of the breakable seal.
2. Press the elastic element by mechanic impact on the marked place by the arrows. Forced extinguishing is activated.

To enable the button Manual Release

1. Insert the spiral end of the key into the hole (fig.3) and press-to-end. The elastic element should fall.
2. Place the flat end of the key into the hole (fig.3) and press-to-end. The elastic element must return to its original position.
3. Dismantle the cover (pos.2, fig.1) and replace the torn breakable seal (pos.7, fig.1).
4. Mount the cover by the reverse order and fix the protective cover by the breakable seal.
5. The button is ready for new activation.

TECHNICAL DATA

Switcher	one normally open contact (NO)
Electrical installation	by means of terminal for installation wires with cross section (0,8-1,5) mm ²
Degree of protection	IP 40
Operating temperature range	from minus 10°C to plus 60°C
Relative humidity resistance	(93±3)% at 40°C
Dimensions	90 x 90 x 44 mm
Material	ABS, yellow

INSTALLATION

To install the button, please observe the following sequence:

1. Dismantle the basic components of the unit : the cover, the carrier unit, and the back box shown on fig.1 by unscrewing the fixings.
2. Fix the back box on the wall by and dowels and self-tapping screws.
3. Join the wires of the input line to terminals (pos.8, fig 1a), located on the rare side of the carrier unit (pos.3, fig. 1).
4. If the button is the last one of several buttons FD3050Y (Fig 2b, 2c), additionally add end of line resistance of 3kΩ to terminals "+" and "-" for equalizing the line.
5. Consecutively mount to the back box of the button the following elements the carrier unit, the breakable seal, the elastic element with the sticker to the cover and the cover.
6. Fix the protective cover to the back box by means of the breakable seal.
7. Cut off the spare end of the breakable seal. Thus the breakable seal can be used twice for fixing the protective cover and indicates that the button has been used once

TESTING

The manual call point is tested after installation, as a part of the Extinguishing Fire Alarm System or after performing service schedule:

1. Testing
 - 1.1. Turn on switcher Disable Extinguishing of the Control Panel.
 - 1.2. An indicator "Disable Extinguishing" lights on in the Control Panel.
 - 1.3. Insert the spiral end of the test key in the opening (fig.3) and press to end. The elastic element should fall. The button is activated.
 - 1.4. The Control Panel enters Fire Condition 2nd Stage. The relevant indicator lights on.
2. Enabling
 - 2.1. Place the flat end of the key into the opening (fig.3) and press to end. The elastic element should move into its initial position.
 - 2.2. The button is ready for use.
 - 2.3. Restart the Control Panel.
 - 2.4. Turn the mode selector key into its initial position. The indicator "Disable Extinguishing" lights off.
 - 2.5. The Control Panel is in Duty Mode.

SERVICE SCHEDULE

1. Inspection for visible physical damage - weekly
2. Satisfactory operation test in real conditions - monthly

WARRANTY

The warrant period is 36 months from the date of the purchase.

The manufacturer guarantees the normal operation of the fire detector providing that the service requirements of the instruction manual herein have been observed.

The manufacturer does not bear warranty liabilities for damages, caused through accidental mechanical damages, misuse, adaptation or modification after the production of the product.

The manufacturer bears warranty liabilities for damages in the manual call point caused through manufacturer's fault only.



GENERAL DESCRIPTION

Button is compatible with Extinguishing Fire Control Panel FS 5200E. It is designated for forced activation of the extinguishing process. The button is to be mounted close to the protected premise. Connect the button to the input "Manual Release" of Control Panel FS5200E. The connection line is monitored for short-circuit or interruption using end of line resistance.

The button has a built-in switcher with one normally open contact and resistor of 1,5 kΩ. When pressing the button, the contact is closed and commutates circuit through resistor of 1,5 kΩ. When the button is situated at the end of the line, it is necessary to connect end of line resistance 3kΩ to terminals "+" and "-" (fig. 2a, 2b, 2c).

FD3050Y consists of : surface mounting box (pos.4, fig.1), a carrier unit (pos.3, fig.1), elastic element (pos.5, fig.1), a test key(pos.6, fig.1), breakable seal(pos.7, fig.1), cover(pos.2, fig.1) and protective cover (pos.1, fig.1) :

To activate the Manual Release Button:

1. Open the protective cover, fixed by means of the breakable seal.
2. Press the elastic element by mechanic impact on the marked place by the arrows. Forced extinguishing is activated.

To enable the button Manual Release

1. Insert the spiral end of the key into the hole (fig.3) and press-to-end. The elastic element should fall.
2. Place the flat end of the key into the hole (fig.3) and press-to-end. The elastic element must return to its original position.
3. Dismantle the cover (pos.2, fig.1) and replace the torn breakable seal (pos.7, fig.1).
4. Mount the cover by the reverse order and fix the protective cover by the breakable seal.
5. The button is ready for new activation.

TECHNICAL DATA

Switcher	one normally open contact (NO)
Electrical installation	by means of terminal for installation wires with cross section (0,8-1,5) mm ²
Degree of protection	IP 40
Operating temperature range	from minus 10°C to plus 60°C
Relative humidity resistance	(93±3)% at 40°C
Dimensions	90 x 90 x 44 mm
Material	ABS, yellow

INSTALLATION

To install the button, please observe the following sequence:

1. Dismantle the basic components of the unit : the cover, the carrier unit, and the back box shown on fig.1 by unscrewing the fixings.
2. Fix the back box on the wall by and dowels and self-tapping screws.
3. Join the wires of the input line to terminals (pos.8, fig 1a), located on the rare side of the carrier unit (pos.3, fig. 1).
4. If the button is the last one of several buttons FD3050Y (Fig 2b, 2c), additionally add end of line resistance of 3kΩ to terminals "+" and "-" for equalizing the line.
5. Consecutively mount to the back box of the button the following elements the carrier unit, the breakable seal, the elastic element with the sticker to the cover and the cover.
6. Fix the protective cover to the back box by means of the breakable seal.
7. Cut off the spare end of the breakable seal. Thus the breakable seal can be used twice for fixing the protective cover and indicates that the button has been used once

TESTING

The manual call point is tested after installation, as a part of the Extinguishing Fire Alarm System or after performing service schedule:

1. Testing
 - 1.1. Turn on switcher Disable Extinguishing of the Control Panel.
 - 1.2. An indicator "Disable Extinguishing" lights on in the Control Panel.
 - 1.3. Insert the spiral end of the test key in the opening (fig.3) and press to end. The elastic element should fall. The button is activated.
 - 1.4. The Control Panel enters Fire Condition 2nd Stage. The relevant indicator lights on.
2. Enabling
 - 2.1. Place the flat end of the key into the opening (fig.3) and press to end. The elastic element should move into its initial position.
 - 2.2. The button is ready for use.
 - 2.3. Restart the Control Panel.
 - 2.4. Turn the mode selector key into its initial position. The indicator "Disable Extinguishing" lights off.
 - 2.5. The Control Panel is in Duty Mode.

SERVICE SCHEDULE

1. Inspection for visible physical damage - weekly
2. Satisfactory operation test in real conditions - monthly

WARRANTY

The warrant period is 36 months from the date of the purchase.

The manufacturer guarantees the normal operation of the fire detector providing that the service requirements of the instruction manual herein have been observed.

The manufacturer does not bear warranty liabilities for damages, caused through accidental mechanical damages, misuse, adaptation or modification after the production of the product.

The manufacturer bears warranty liabilities for damages in the manual call point caused through manufacturer's fault only.



GENERAL DESCRIPTION

Button is compatible with Extinguishing Fire Control Panel FS 5200E. It is designated for forced activation of the extinguishing process. The button is to be mounted close to the protected premise. Connect the button to the input "Manual Release" of Control Panel FS5200E. The connection line is monitored for short-circuit or interruption using end of line resistance.

The button has a built-in switcher with one normally open contact and resistor of 1,5 kΩ. When pressing the button, the contact is closed and commutates circuit through resistor of 1,5 kΩ. When the button is situated at the end of the line, it is necessary to connect end of line resistance 3kΩ to terminals "+" and "-" (fig. 2a, 2b, 2c).

FD3050Y consists of : surface mounting box (pos.4, fig.1), a carrier unit (pos.3, fig.1), elastic element (pos.5, fig.1), a test key(pos.6, fig.1), breakable seal(pos.7, fig.1), cover(pos.2, fig.1) and protective cover (pos.1, fig.1) :

To activate the Manual Release Button:

1. Open the protective cover, fixed by means of the breakable seal.
2. Press the elastic element by mechanic impact on the marked place by the arrows. Forced extinguishing is activated.

To enable the button Manual Release

1. Insert the spiral end of the key into the hole (fig.3) and press-to-end. The elastic element should fall.
2. Place the flat end of the key into the hole (fig.3) and press-to-end. The elastic element must return to its original position.
3. Dismantle the cover (pos.2, fig.1) and replace the torn breakable seal (pos.7, fig.1).
4. Mount the cover by the reverse order and fix the protective cover by the breakable seal.
5. The button is ready for new activation.

TECHNICAL DATA

Switcher	one normally open contact (NO)
Electrical installation	by means of terminal for installation wires with cross section (0,8-1,5) mm ²
Degree of protection	IP 40
Operating temperature range	from minus 10°C to plus 60°C
Relative humidity resistance	(93±3)% at 40°C
Dimensions	90 x 90 x 44 mm
Material	ABS, yellow

INSTALLATION

To install the button, please observe the following sequence:

1. Dismantle the basic components of the unit : the cover, the carrier unit, and the back box shown on fig.1 by unscrewing the fixings.
2. Fix the back box on the wall by and dowels and self-tapping screws.
3. Join the wires of the input line to terminals (pos.8, fig 1a), located on the rare side of the carrier unit (pos.3, fig. 1).
4. If the button is the last one of several buttons FD3050Y (Fig 2b, 2c), additionally add end of line resistance of 3kΩ to terminals "+" and "-" for equalizing the line.
5. Consecutively mount to the back box of the button the following elements the carrier unit, the breakable seal, the elastic element with the sticker to the cover and the cover.
6. Fix the protective cover to the back box by means of the breakable seal.
7. Cut off the spare end of the breakable seal. Thus the breakable seal can be used twice for fixing the protective cover and indicates that the button has been used once

TESTING

The manual call point is tested after installation, as a part of the Extinguishing Fire Alarm System or after performing service schedule:

1. Testing
 - 1.1. Turn on switcher Disable Extinguishing of the Control Panel.
 - 1.2. An indicator "Disable Extinguishing" lights on in the Control Panel.
 - 1.3. Insert the spiral end of the test key in the opening (fig.3) and press to end. The elastic element should fall. The button is activated.
 - 1.4. The Control Panel enters Fire Condition 2nd Stage. The relevant indicator lights on.
2. Enabling
 - 2.1. Place the flat end of the key into the opening (fig.3) and press to end. The elastic element should move into its initial position.
 - 2.2. The button is ready for use.
 - 2.3. Restart the Control Panel.
 - 2.4. Turn the mode selector key into its initial position. The indicator "Disable Extinguishing" lights off.
 - 2.5. The Control Panel is in Duty Mode.

SERVICE SCHEDULE

1. Inspection for visible physical damage - weekly
2. Satisfactory operation test in real conditions - monthly

WARRANTY

The warrant period is 36 months from the date of the purchase.

The manufacturer guarantees the normal operation of the fire detector providing that the service requirements of the instruction manual herein have been observed.

The manufacturer does not bear warranty liabilities for damages, caused through accidental mechanical damages, misuse, adaptation or modification after the production of the product.

The manufacturer bears warranty liabilities for damages in the manual call point caused through manufacturer's fault only.

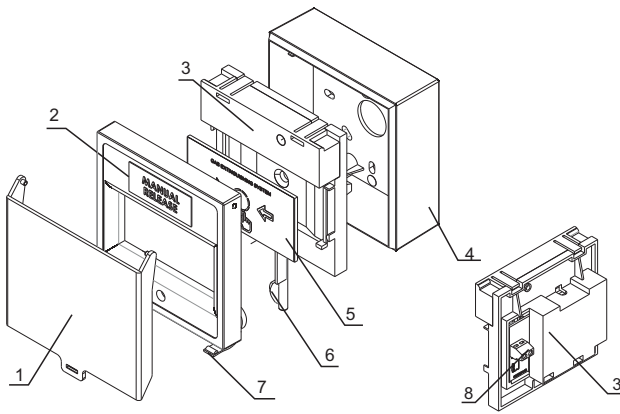


Fig.1/Fig.1a

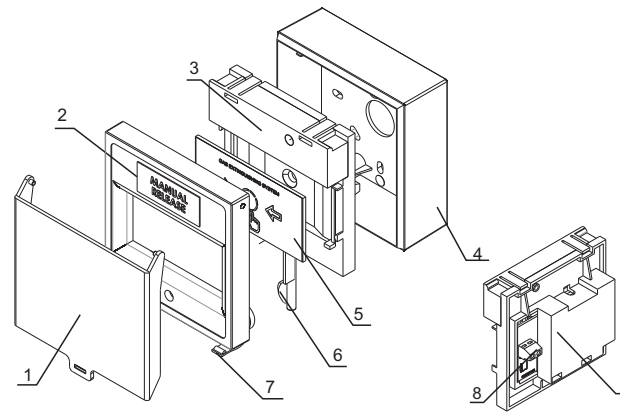


Fig.1/Fig.1a

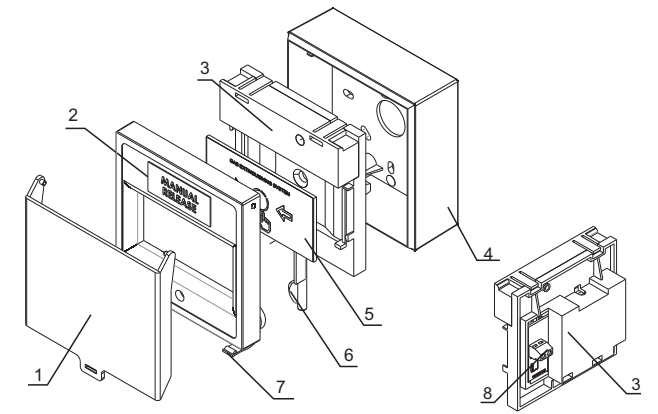


Fig.1/Fig.1a

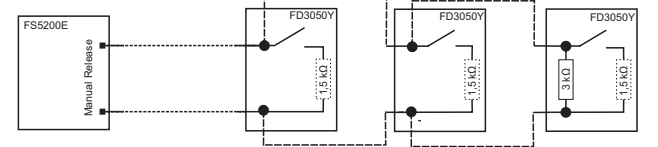
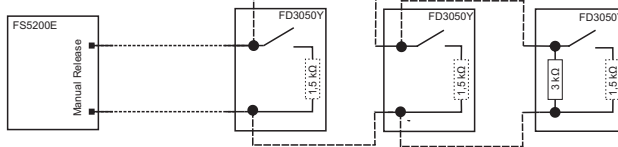
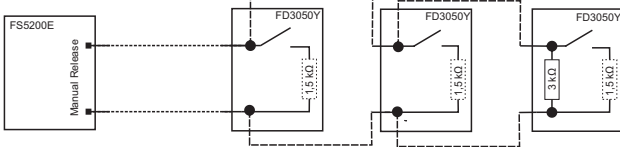
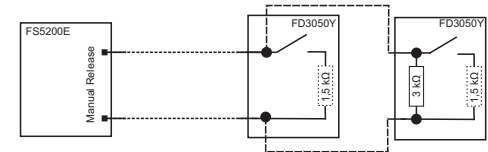
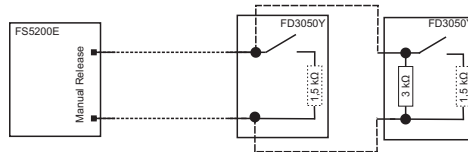
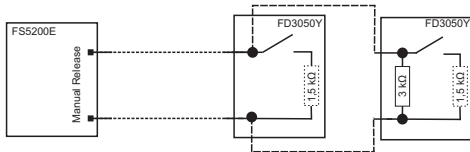
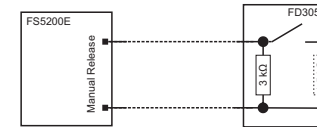
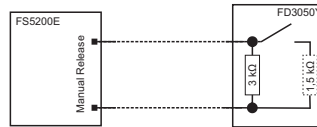
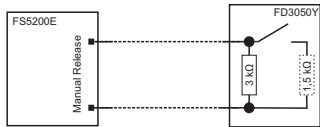


Fig.2a/2b/2c

Fig.2a/2b/2c

Fig.2a/2b/2c

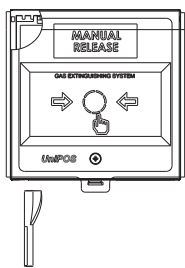


Fig.3

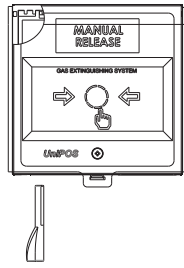


Fig.3

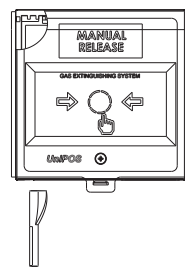


Fig.3

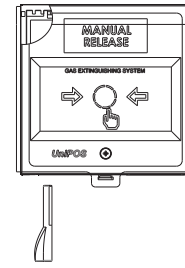


Fig.3

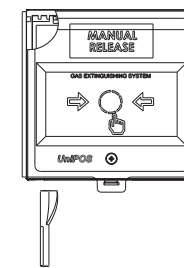


Fig.3

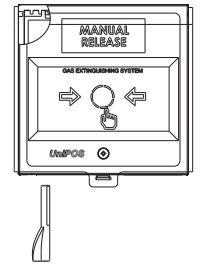


Fig.3